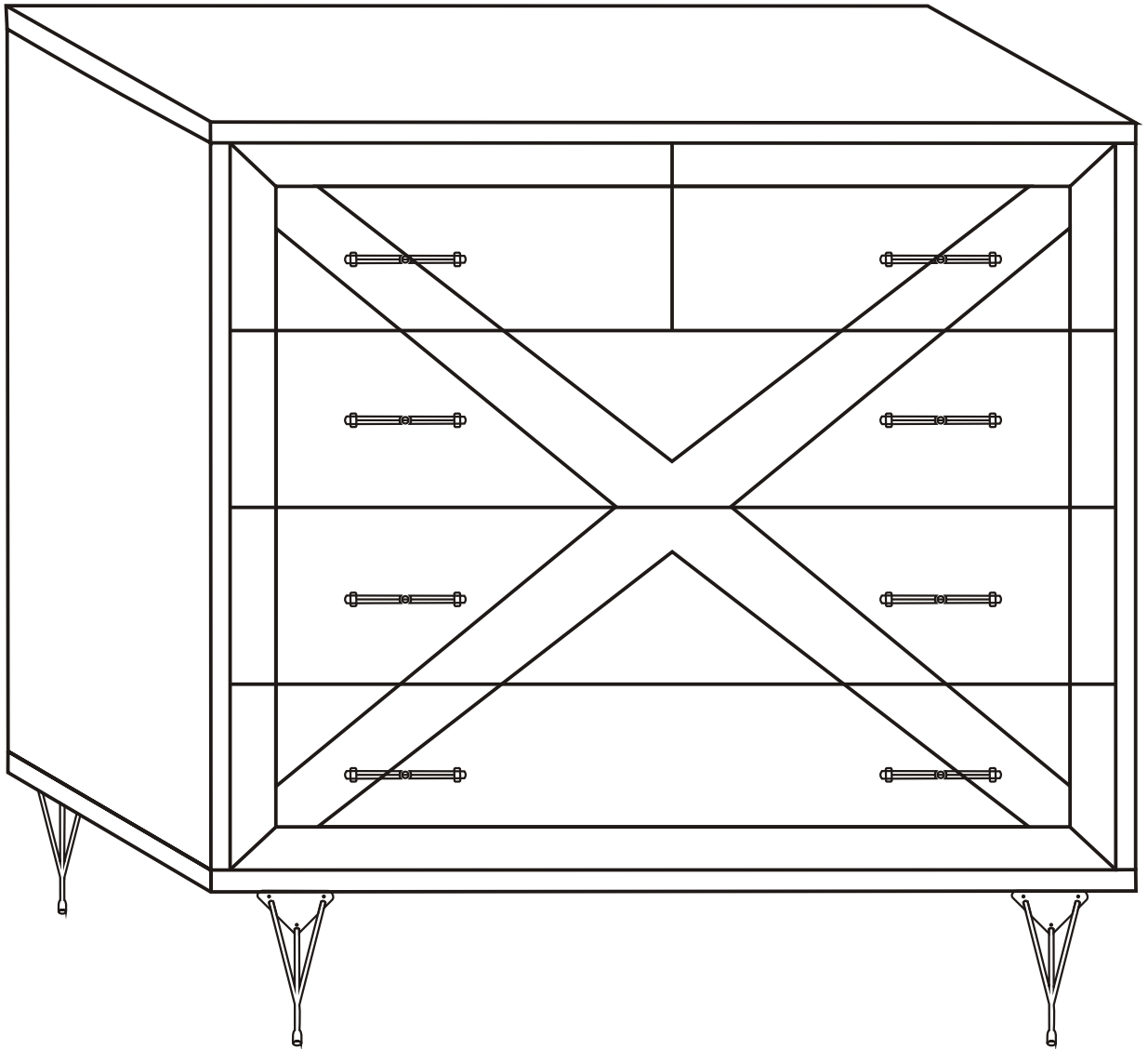


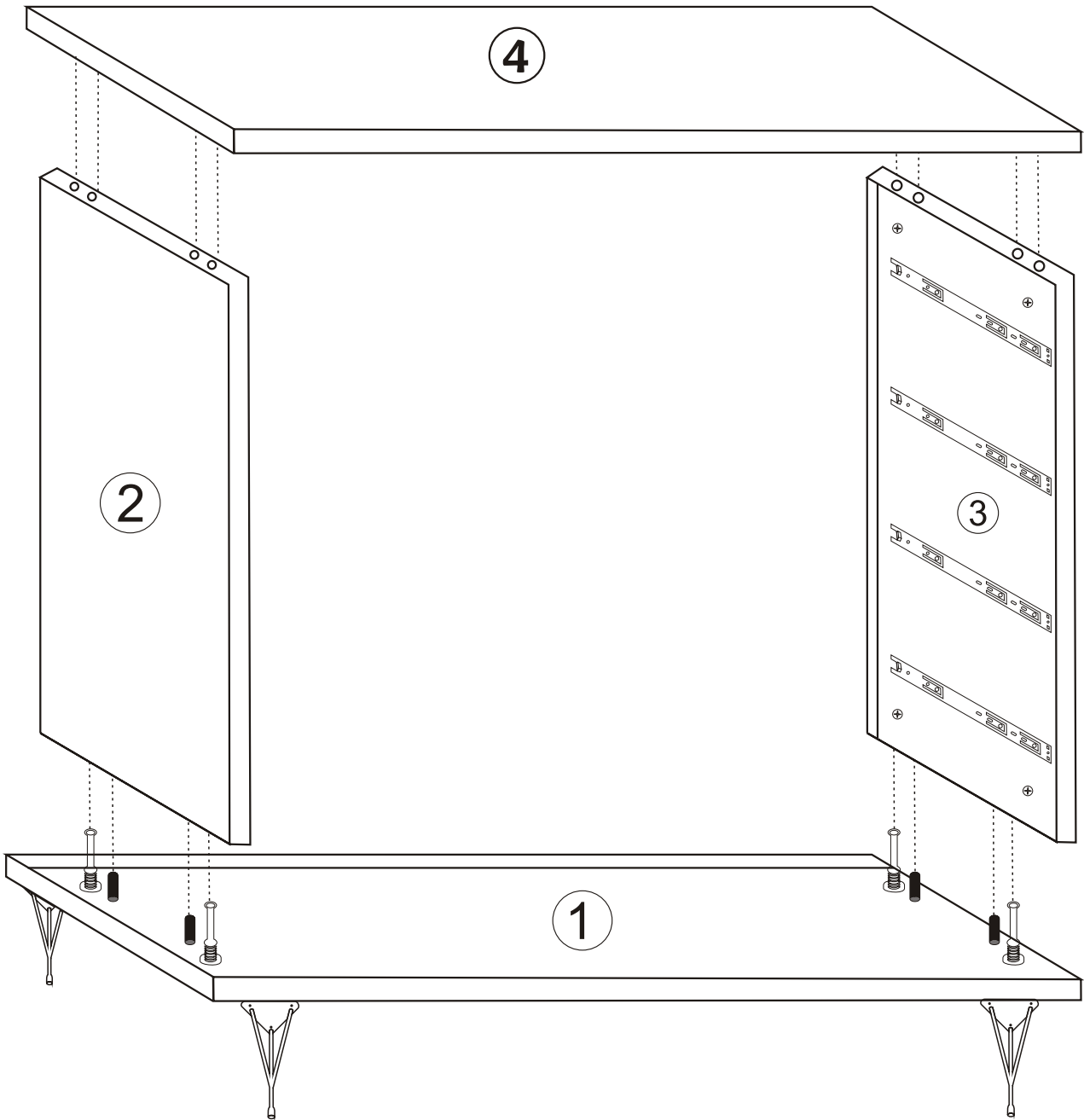
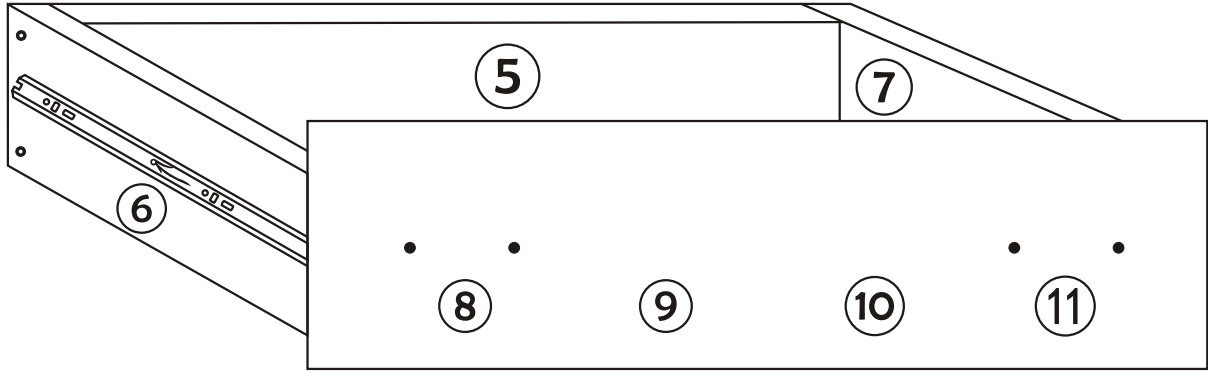
COMFORT

Assembly Manual



KALUNE DESIGN
furniture

COMFORT

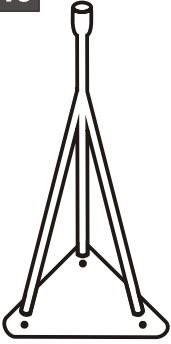


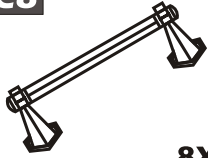



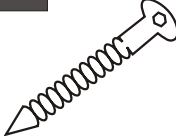


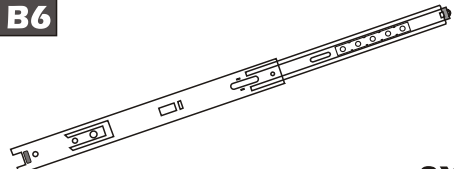
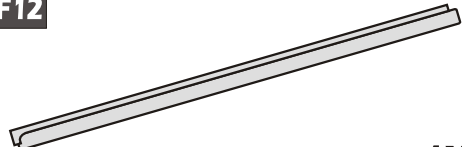


COMFORT

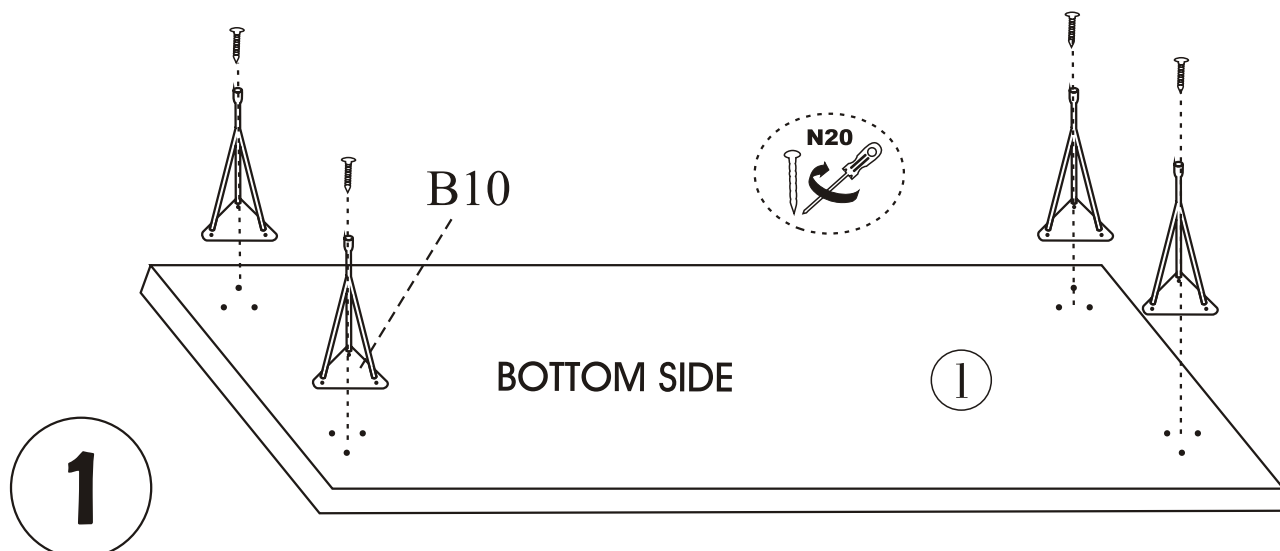
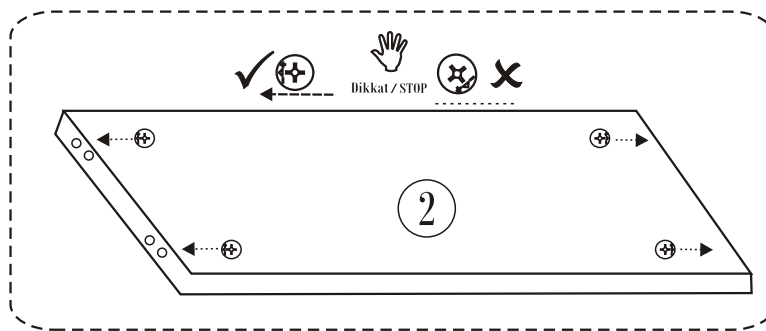
ATTENTION !!

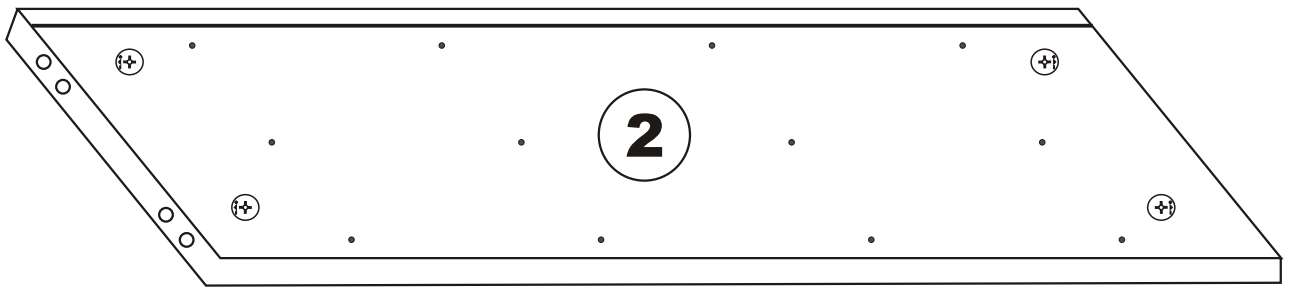
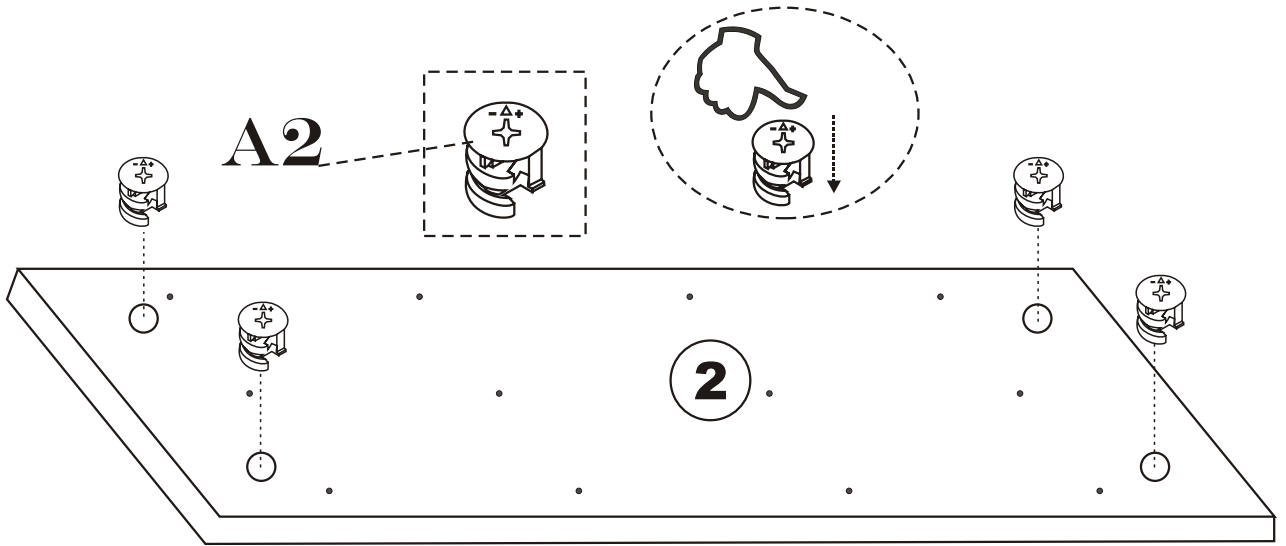
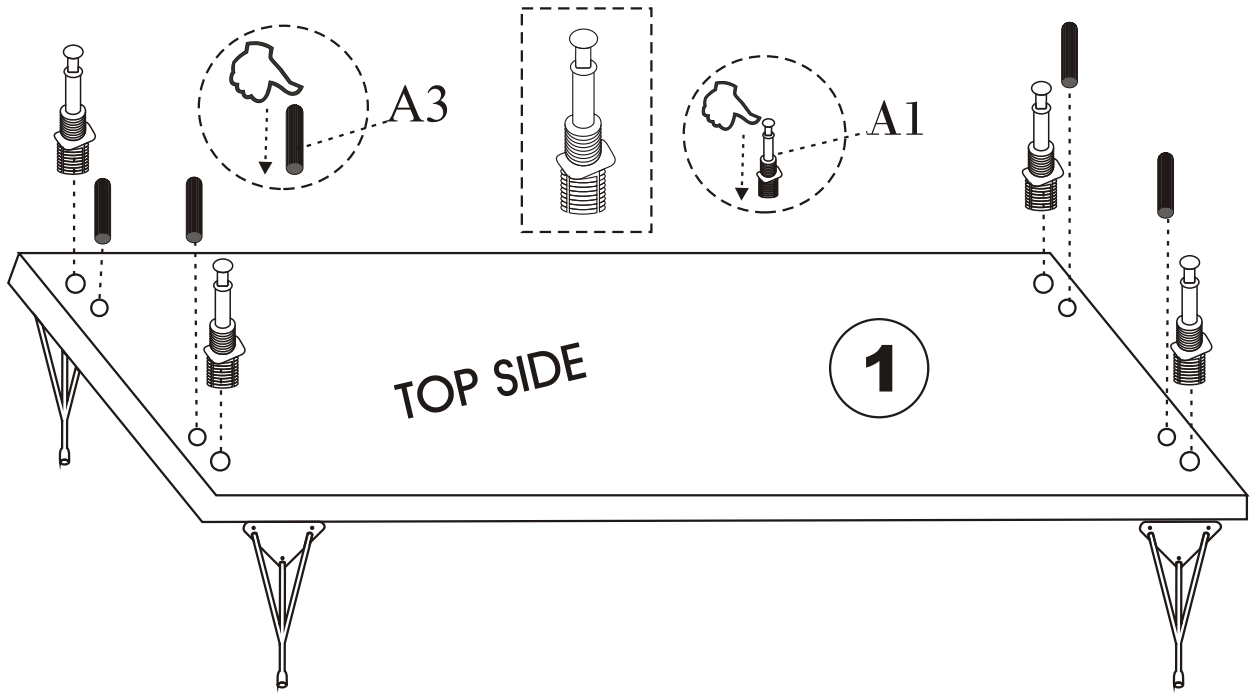
Minifix is the main connection material used in Decortile products ,
Before starting assembly , Please check the drawings below

Accessory List

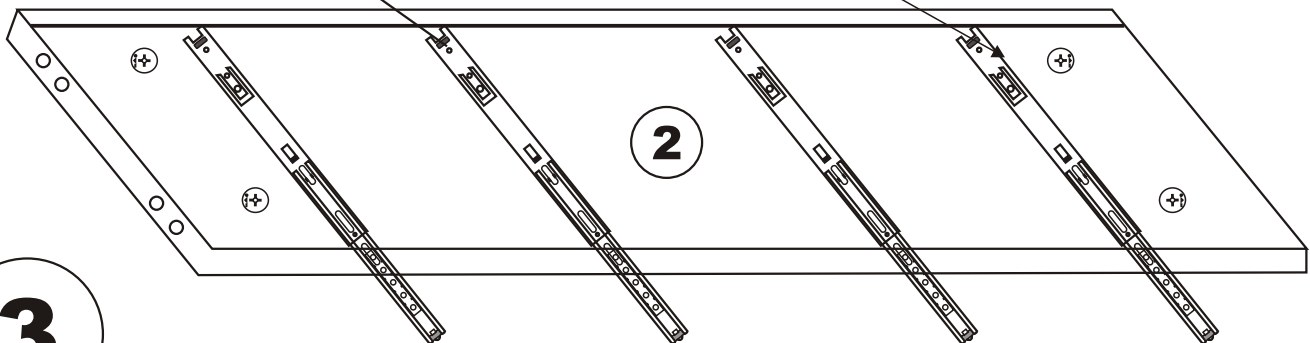
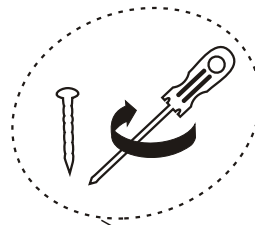
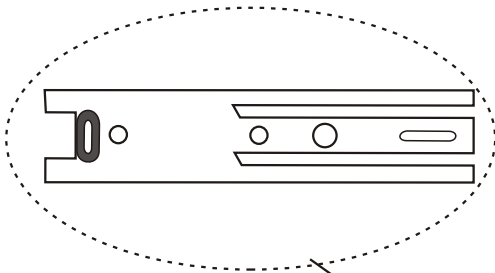
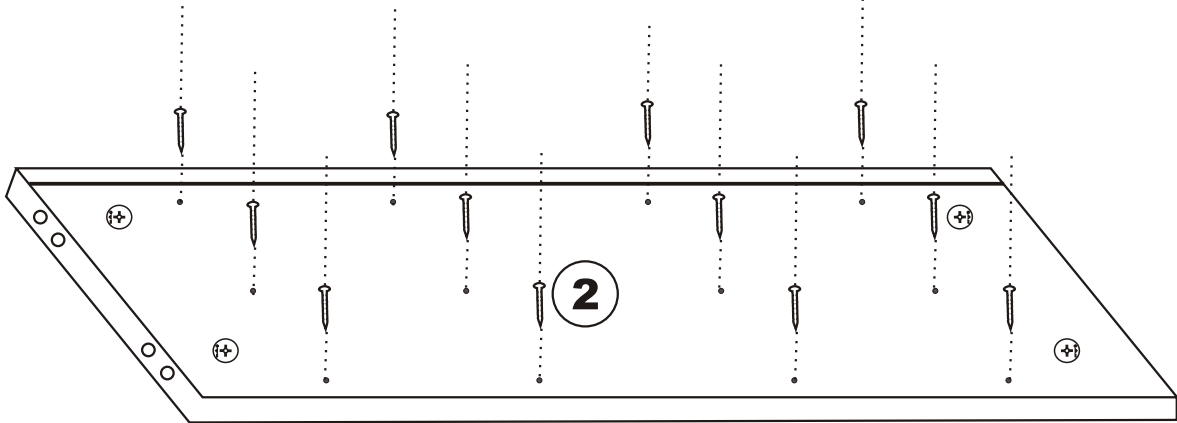
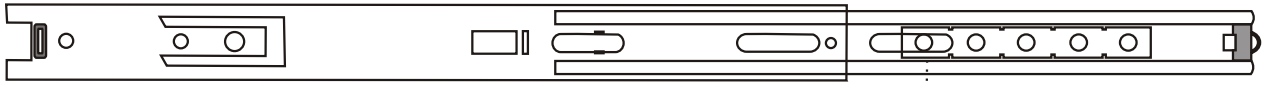
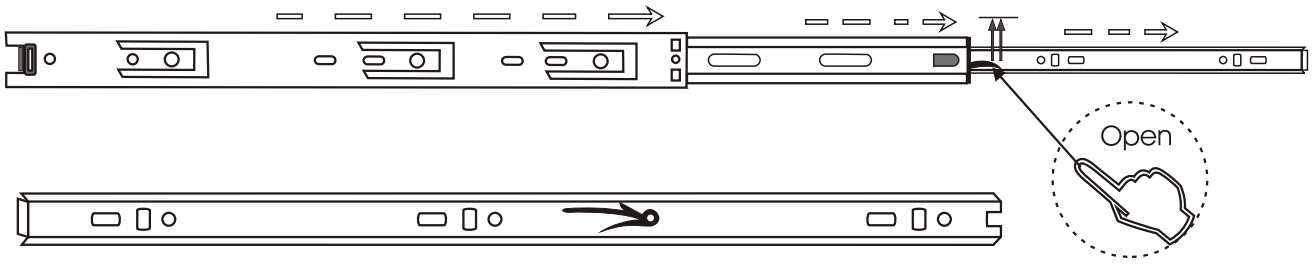
B10  4 X	A1 Minifix  24 X	A2 Minifix  24 X	C8  8 X	C9  16 X
	A3  8 X	N20  60 X	T24  16 X	T25  1 X
	B6  8 X	F12  1 X		

General View

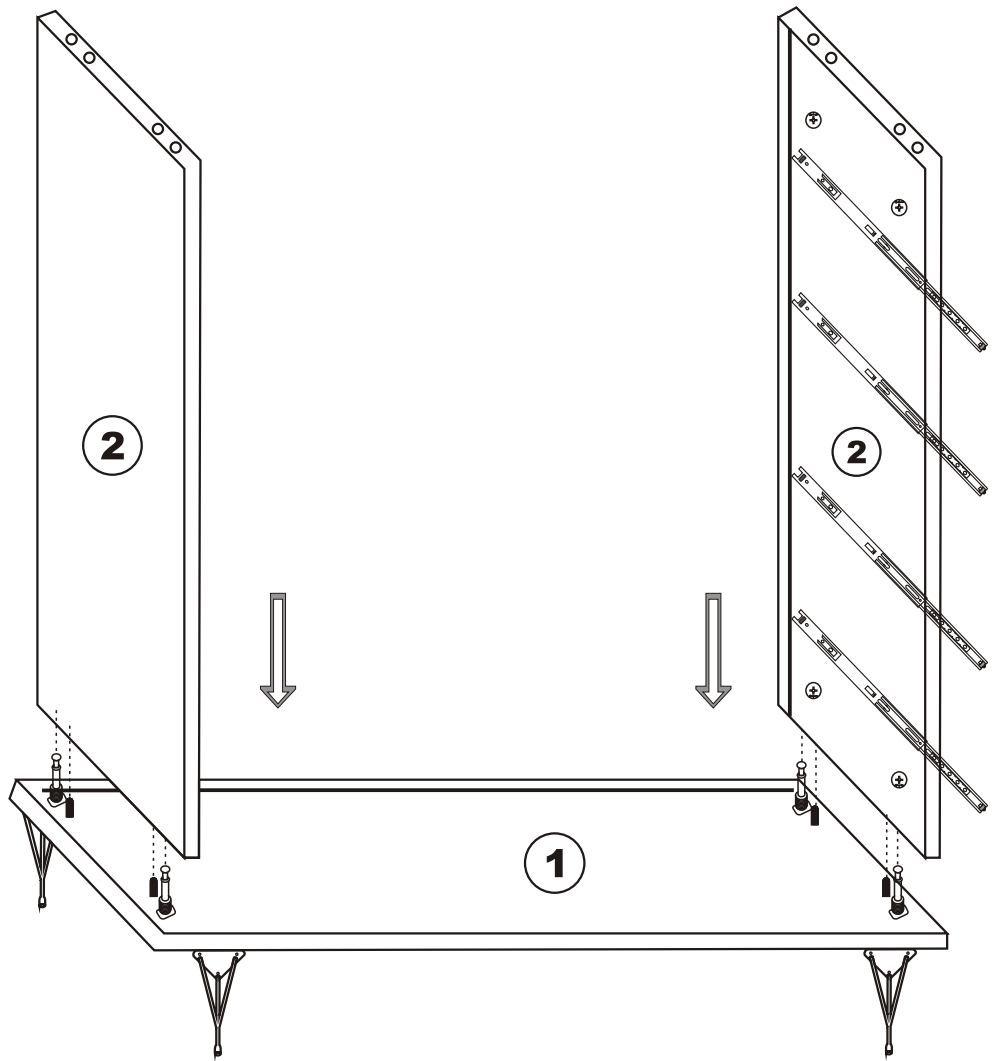




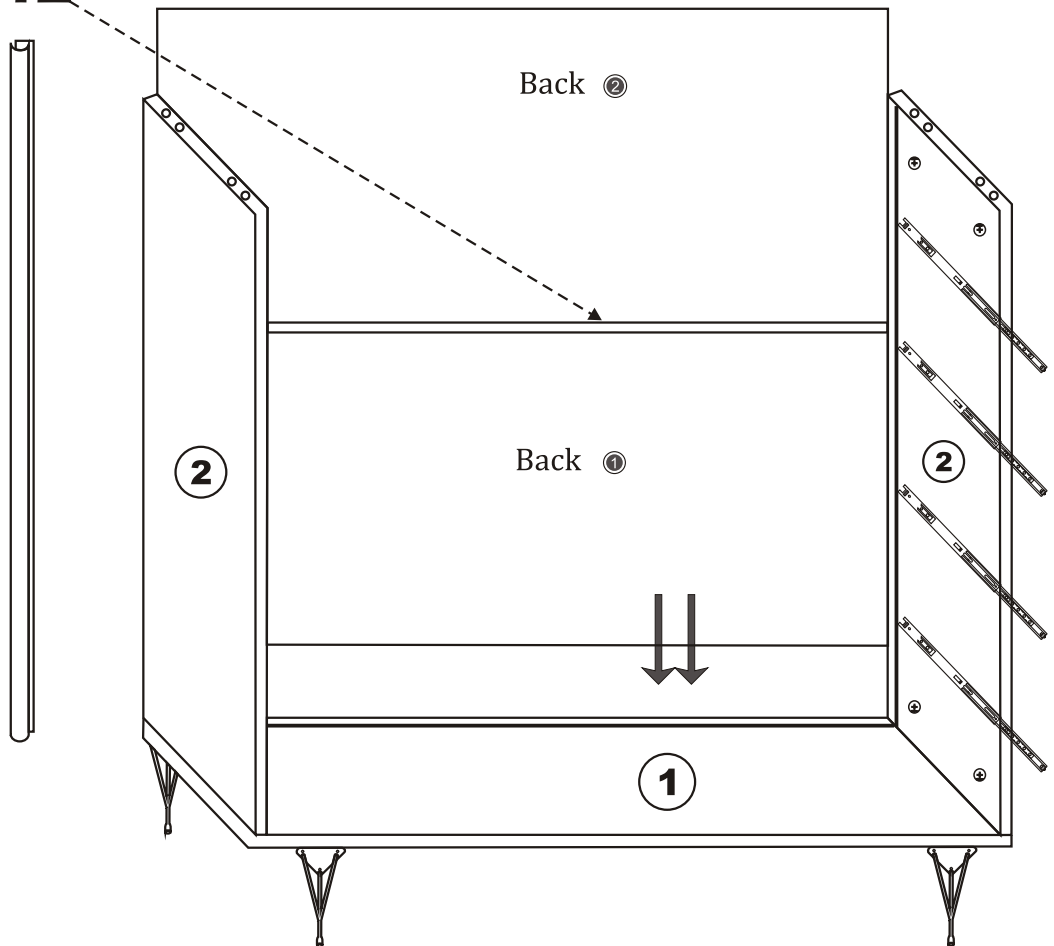
2



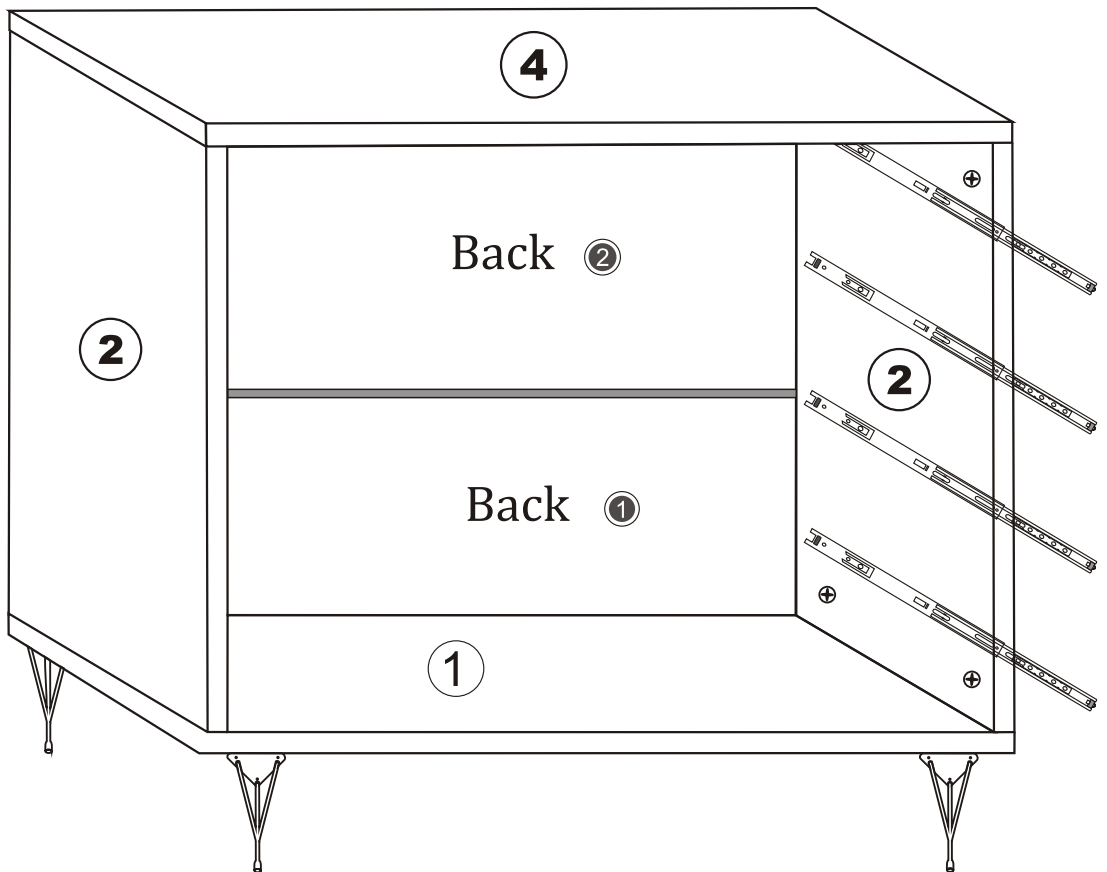
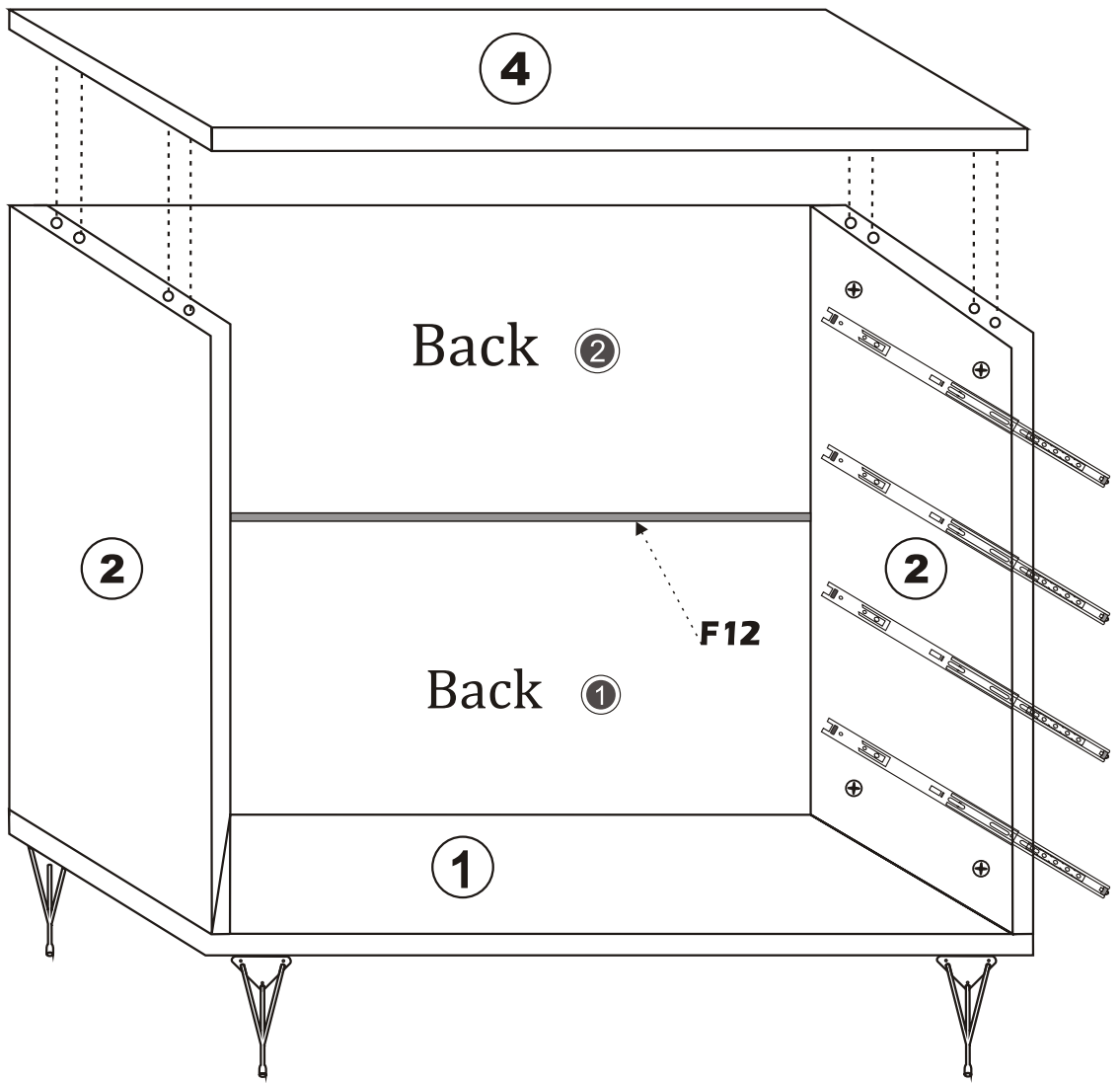
3



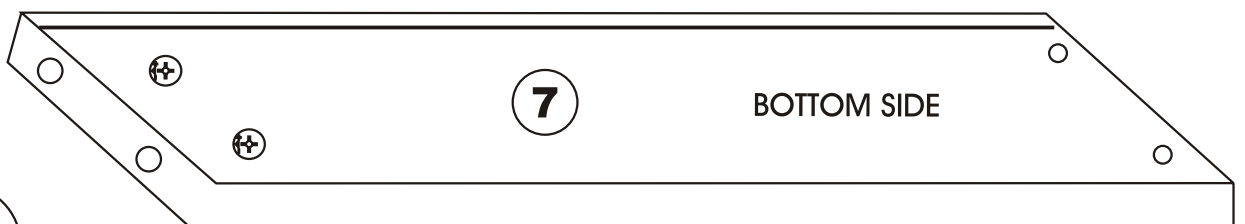
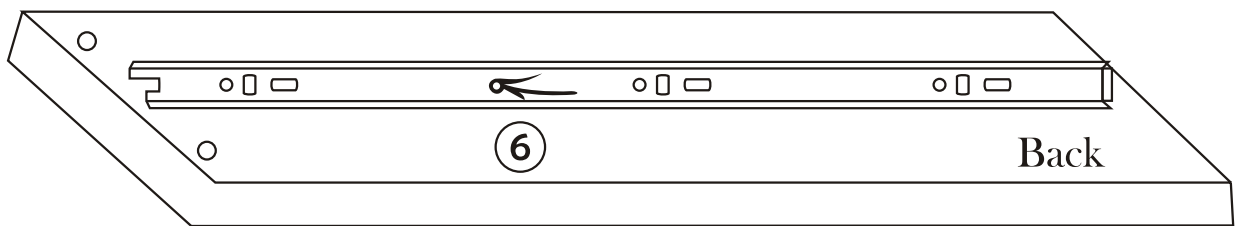
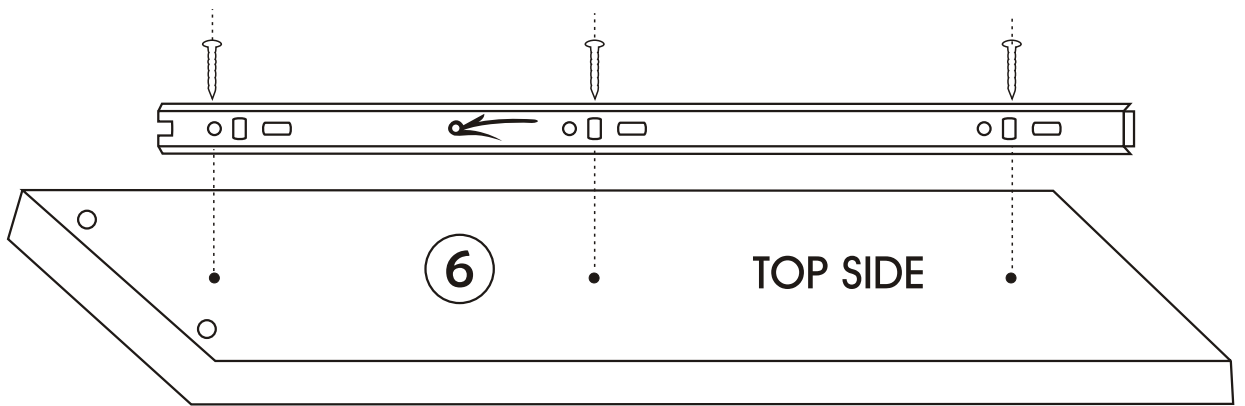
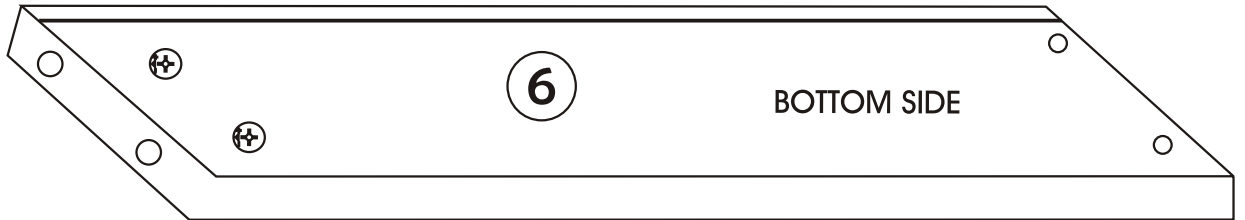
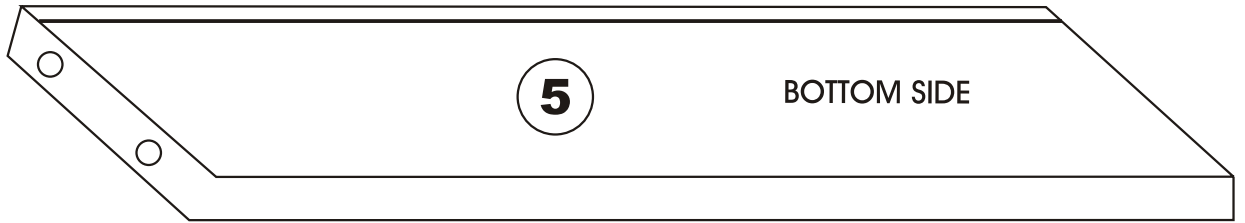
F12



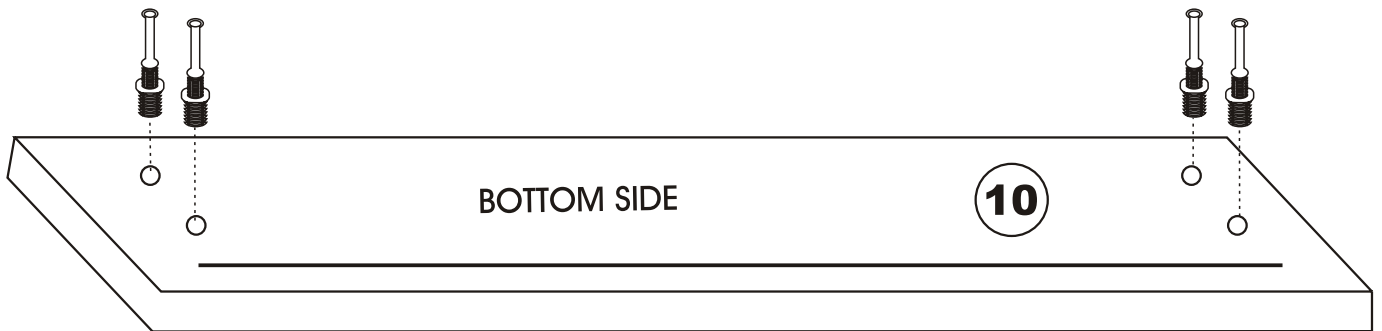
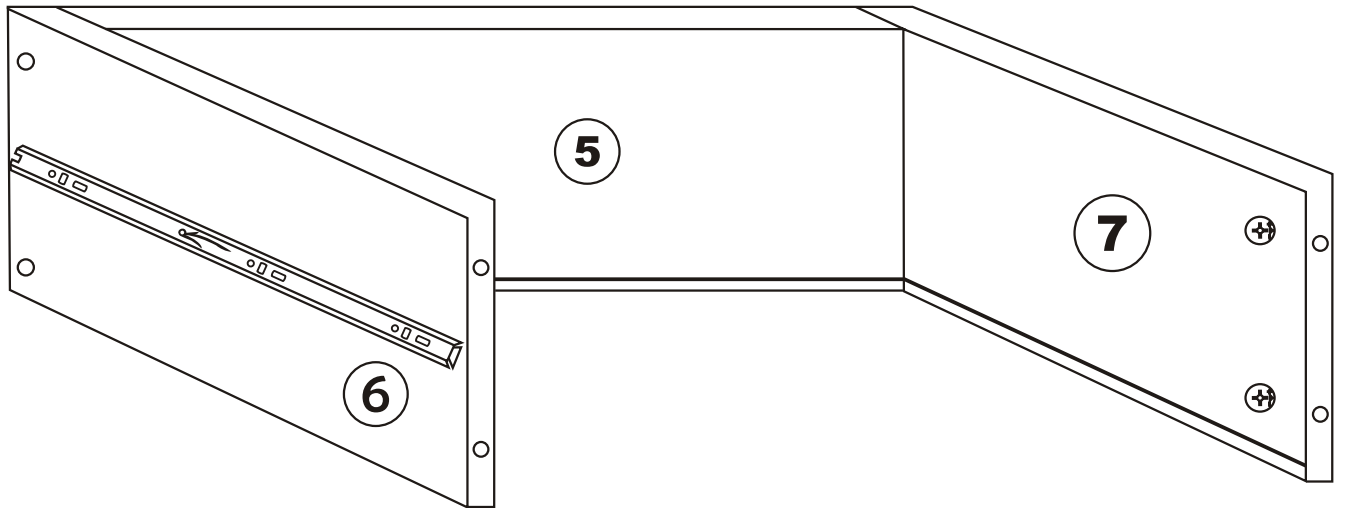
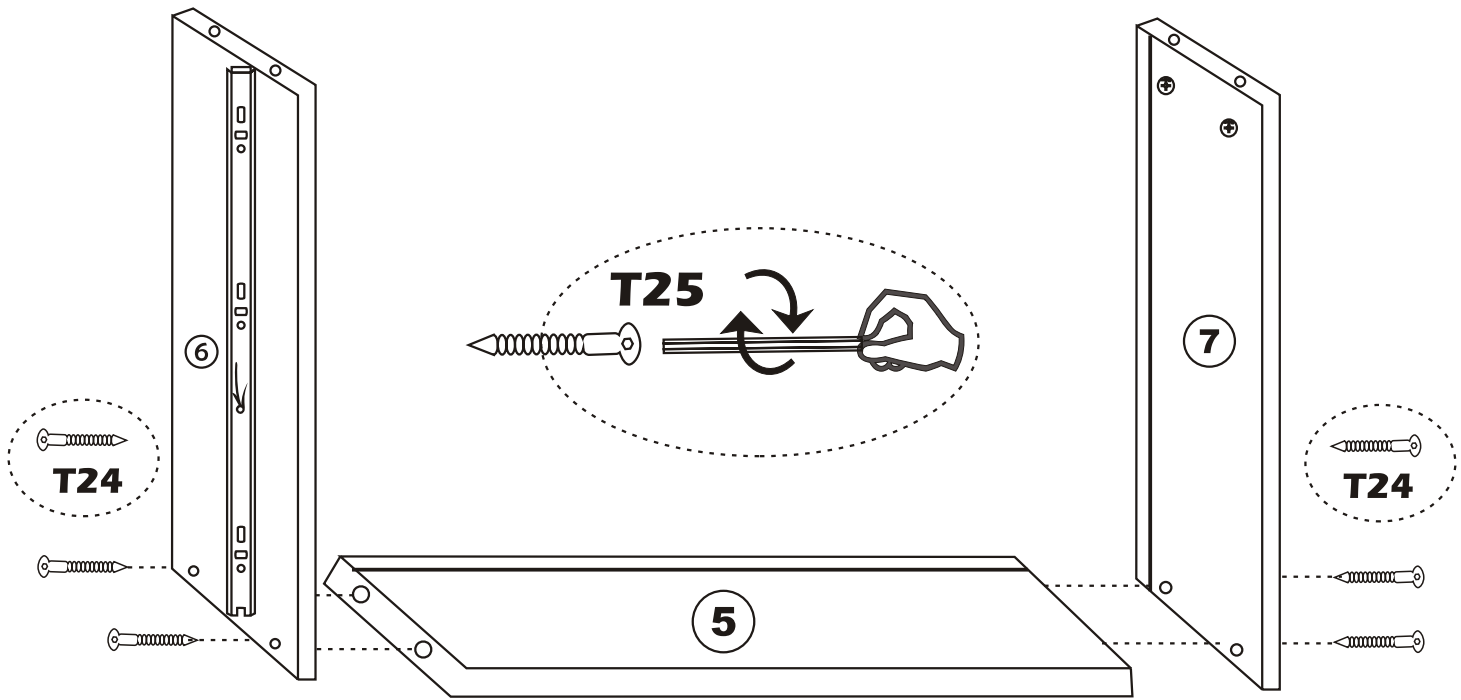
4



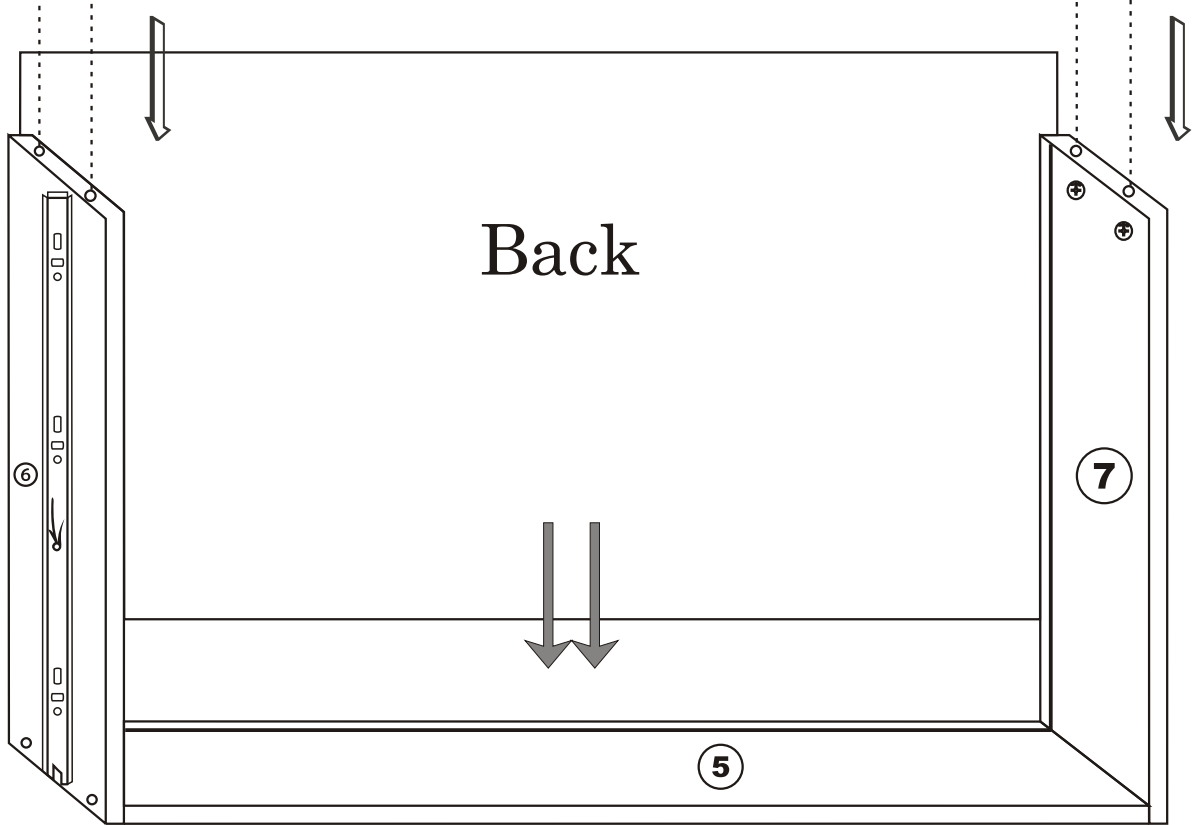
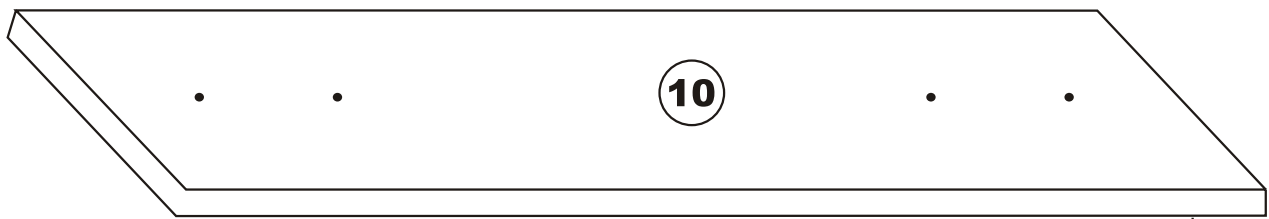
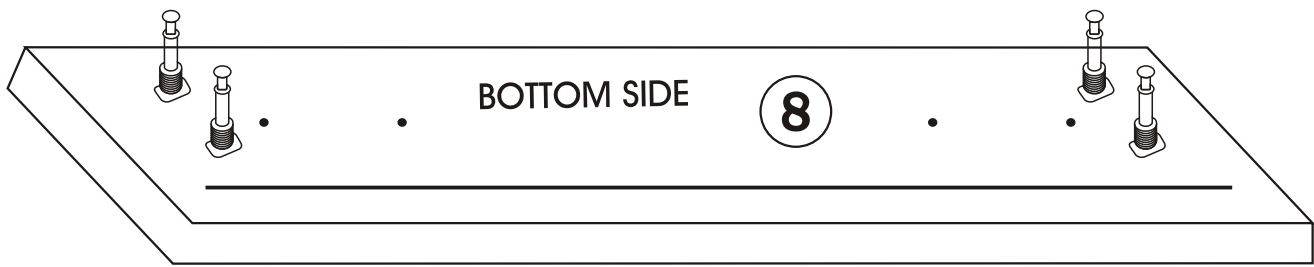
5



6



7



8

